



A world  
full of  
possibilities.





## Progress and success with sustainability and respect: we make it possible.

How does progress come about? What is success? There may be no clear answers to these questions - but we at BRUGGER have a clear attitude that has shaped our actions for over 60 years. For us, progress means a world in which corporate responsibility, sustainability and values drive society forward. This results in success. Because in the long term, success can only come from sustainable thinking and a respectful approach - for people and the environment.

We are a family business and a strong medium-sized company. We take responsibility and make things possible. We are **BRUGGER**.

**One of the leading manufacturers of magnet systems.**

„We create individual solutions that meet economic, ecological and social requirements for a better future. „  
**Georg Brugger-Efinger and Thomas Brugger, Management**



## Magnets are our world.

**BRUGGER`s** core competence: high-quality magnets and magnet systems for a wide range of industries and applications. From small to large, from simple to complex, we stand for a universe of possibilities: Permanent magnets in the most versatile types, shapes and implementations, whether individually, as an assembly or integrated into very specific customer applications - we make it possible.

The basis for this is in-depth experience and specific expertise combined with the greatest possible vertical integration. This means that the central production steps take place in-house, in Hardt in the Black Forest. This includes continuous investment in modern, high-performance machinery and, above all, a really strong team of employees - something we are proud of.

The result is not only millions of products „Made in Germany“, but also countless satisfied customers throughout Europe. It would not be arrogant to say that once you have been to **BRUGGER**, you (almost) always come back. We are proud of that too!

Are you looking for the right magnets for your personal field of application? Then **BRUGGER** is the right address for you. We make it possible - for you and with you.

# Knowledge. Ability. Want to.



# This is how we think. This is how we act.

## VISION

**With expertise, technology and values moving society forward**

At **BRUGGER** we believe in the **power of progress**. In order for this to be shaped positively, it requires not only **expertise and technology**, but also a **firm foundation of values** and the conviction to act accordingly. Consistency and sustainability must go hand in hand. This is precisely the responsibility we face as a company. For the world and for society. For today and for tomorrow.

## MISSION

**Fastening solutions that make the world safer, more comfortable and more efficient**

The name **BRUGGER** stands for high-quality, individual magnet and fastening solutions. Safety, functionality, convenience, efficiency and much more - that's what our products stand for. This means always responding specifically to the requirements of our customers. Our aim is not only to impress technologically, but also in terms of service. **Economic efficiency, fairness and sustainability** are the maxims that apply to us - they have always been the most important foundations of our success.

## PURPOSE

**We enable connections to bring about positive change in society**

As a family business, responsibility has always been a top priority for us at **BRUGGER**: for the company, for our employees and their families, for our partners and suppliers... Where does it begin, where does it end? We cannot change the world on our own. But we can try! With sustainable corporate management, with values such as respect and honesty, we want to be a **role model**. We want to create **impulses for quality and know-how**. For good cooperation, for the preservation of our livelihoods, for a **better world**.

## PROMISE

**We make it possible**

With our infinitely versatile magnet systems, we at **BRUGGER** ensure secure fastening and smooth-running processes in a wide range of industries and applications. What we realize time and time again are not **just durable and stable solutions in top quality**. Rather, it is a **promise of progress and success**. We realize ideas, we are the enabler. We stand for **a world full of possibilities**.





## Because we care about the future is close to our hearts.

Protecting the environment, avoiding unnecessary waste, using natural resources sparingly and preserving our livelihoods - all of this has been of the utmost importance to us since the company was founded. At that time, the term sustainability was hardly known, but it had long been a reality for us, and we did so out of conviction.

Our company founder Rudolf Brugger grew up on a Black Forest farm with a forest economy. Even at a young age, you learn what it means to work sustainably - according to the principle of „responsibly and consciously harvesting what has been sown“. People and the environment must work together and never against each other. This is the only way for the future.

**BRUGGER** continues to live and work in this tradition today. More than ever, the responsible use of resources, the far-sighted use of materials, sustainable supply chains and consistent recycling are right at the top of our corporate agenda.

In recent years, we have consistently stepped up our efforts in the area of sustainability. For example, the company has been successively optimized - resulting in complete carbon neutrality since 2019. All production processes, supply chains and delivery structures have been optimized. It was and is also important to us to raise awareness among all employees and take them along on this journey: We can only move forward together.

**We'll keep at it - will you?**



# Fastening solutions are our competence.

## Magnetic systems, made just for you

One principle - infinite implementation possibilities: These are magnet systems from **BRUGGER**. With our quality and flexibility, we have become an indispensable partner for a wide range of industries.

From small to large, from prototype to mass production, from simple to highly complex, our fastening solutions ensure secure stability and progress all over the world. We develop, we manufacture, we deliver - from our company headquarters in Hardt to wherever you need us.

One of our particular strengths is the customized design of our solutions: Do you have a special requirement? Then let's talk about it. We are ready to make it possible for you.

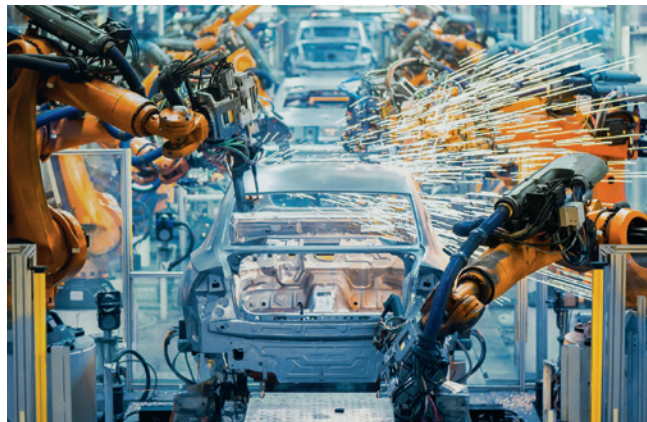


# In these sectors we are at home.

## Successful around the world

We are successful in industries around the world with our magnetic systems. Our solutions are essential components when it comes to the functionality, performance, safety and stability of products and systems. In the rarest of cases, we are visible - but always noticeably better.

What sets us apart is our ability to respond precisely to the specific needs of our customers and their areas of application. We develop individual solutions that leave nothing to be desired in terms of reliability: Top quality that always delivers what the name **BRUGGER** promises.



Automotive industry



Construction



Office technology / advertising industry



Camping



Retail / Exhibition stand construction



Food industry



Lighting industry



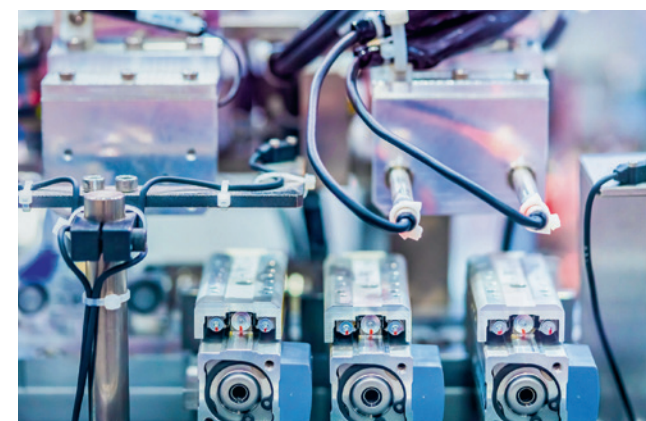
Mechanical engineering



Metalworking industry



Furniture industry



Sensor technology



Wind power



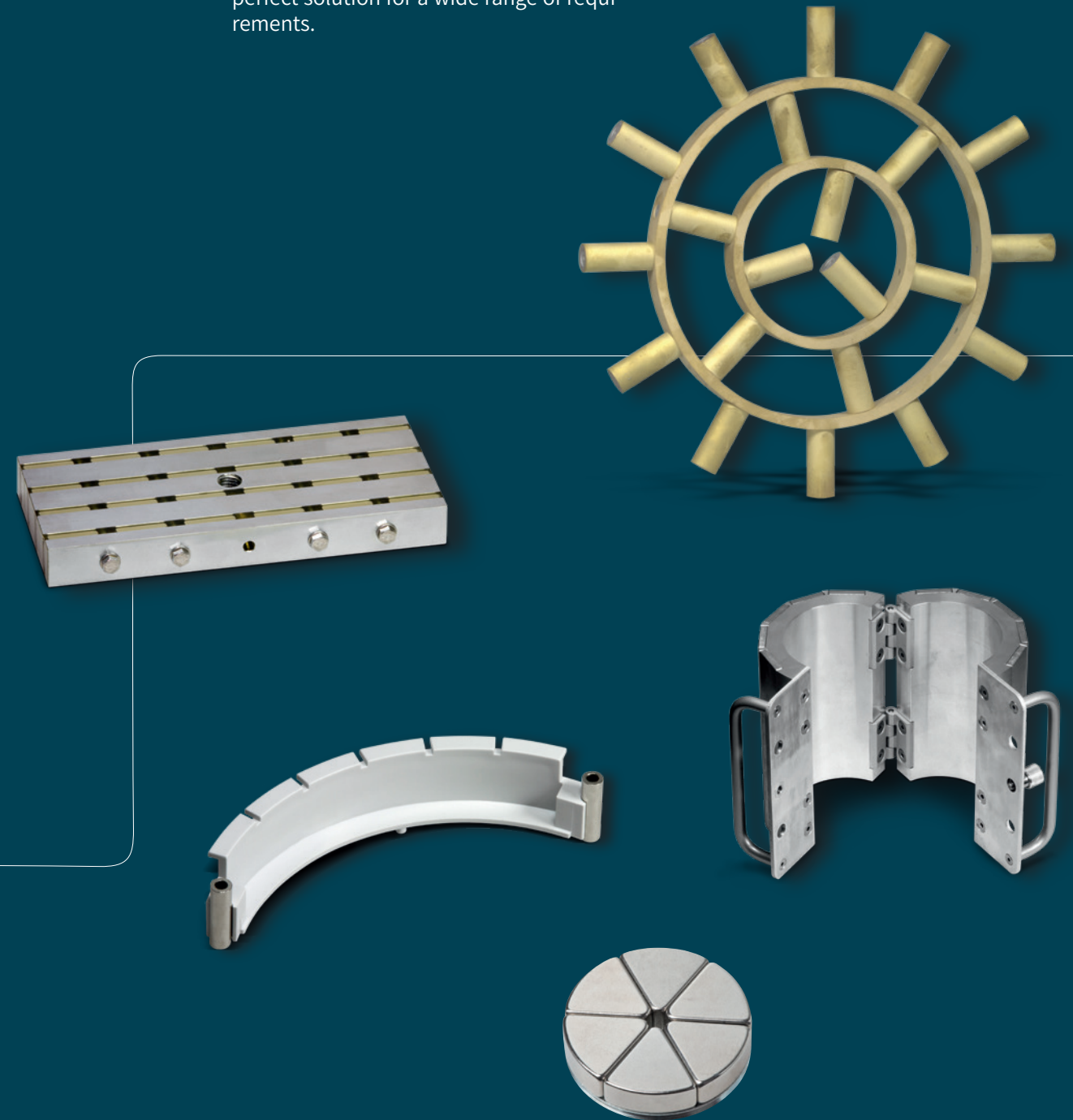
## Ready for your solution.

Are you looking for an individual product configuration that not only fulfills your purpose, but also represents a real solution to your problem? Then we are the perfect partner for you.

In the area of special solutions, we are available for the **modification of existing products** (e.g. adjustments in terms of height, length, diameter, surface, adaptation, adhesive force and material): A quick and cost-effective solution for small series.

On the other hand, **BRUGGER** is also the right address for the **development of new customer-specific products!** Do you need the optimum solution for your application? Then let us make it possible. We are personally at your side, from development to prototype construction to series production.

They don't just look good: Magnets and magnet systems from **BRUGGER** are the perfect solution for a wide range of requirements.



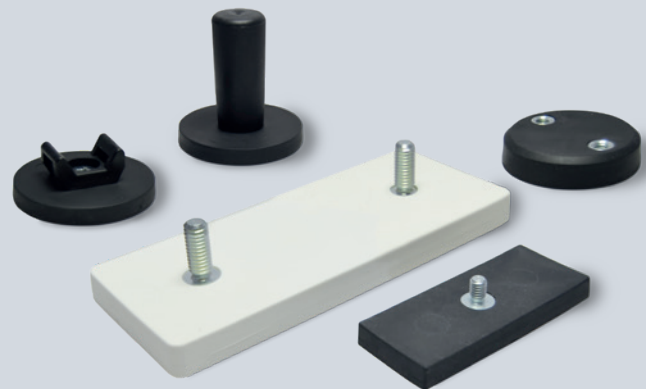


# Magnetized by ideas - fascinated by possibilities.

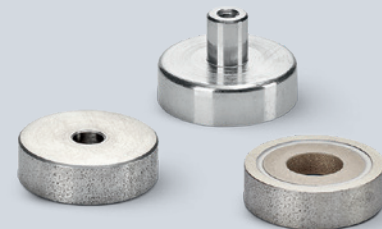
## More magnet is impossible

It's fascinating how a basic physical principle can open up a whole world of possibilities! Don't you think? The name **BRUGGER stands** for magnets and magnet systems in a wide variety of types, sizes and dimensions. What you see here is an excerpt from a wide range - more magnets are not possible.

We have standard products and special solutions - and are of course always there for you for individual developments. This means that regardless of whether you already have a specific product in mind or are looking for a tailor-made magnet solution for your application: You've come to the right place.



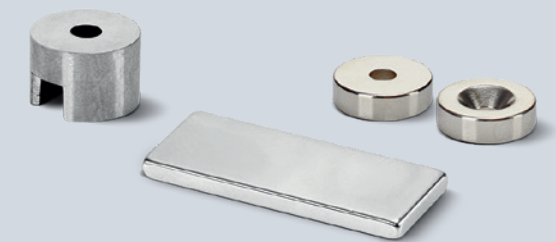
Rubberised magnet systems



Pot magnets - Flat pot magnets



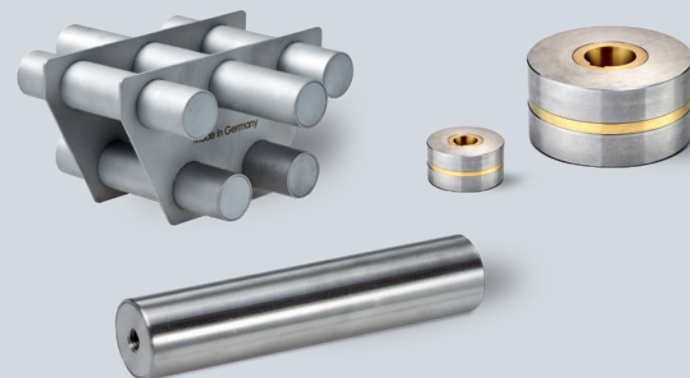
Office magnets



Raw magnets



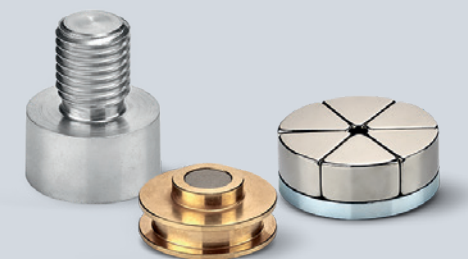
Deep pot magnets



Magnetic filters and magnetic wheels



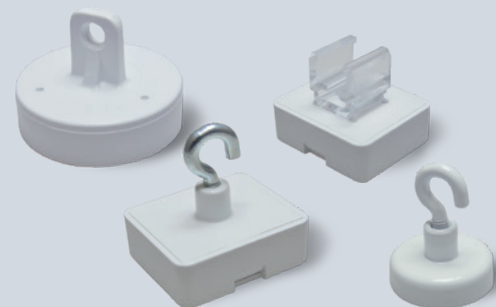
Accessories



Custom-made products



Magnetic catches



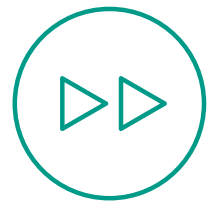
POS and hook magnets



## Powerful performance.

### To the point

Black Forest family businesses traditionally find it a little difficult to make a big deal of their successes. This is no different for us: at **BRUGGER**, we also prefer to impress through strong performance rather than strong words. Nevertheless, we are proud of everything we have already achieved - and see it as our duty to continue on this successful path into the future.



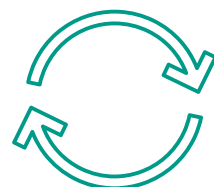
**Fast**  
and  
**flexible**  
order processing



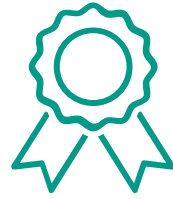
Since  
**1999**  
DIN EN ISO 9001 certified



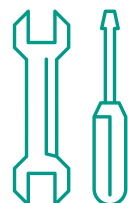
More than  
**100**  
employees



Since  
**2019**  
CO2 neutral



Over  
**60 Years**  
of BRUGGER



More than  
**1000**  
Tools and devices



Annually over  
**9 million**  
magnet systems  
„Made in Germany“

## The path continues.

Our focus is on the future and we are convinced that we will successfully shape the economic future through responsible action and constructive solutions: With courage, joy and a desire for innovation and, last but not least, with a strong team.

We keep our finger on the pulse of the market and strive to continuously improve our products and services in order to offer our customers the best possible solutions. The world is on the move - and we are moving with it.

**A world full of possibilities.**





**Brugger GmbH Magnetsysteme**

**Gewerbestraße 23  
78739 Hardt  
Germany**

**T. +49 74 22 95 19-0  
F. +49 74 22 95 19-22  
E. [info@brugger-magnet.de](mailto:info@brugger-magnet.de)**