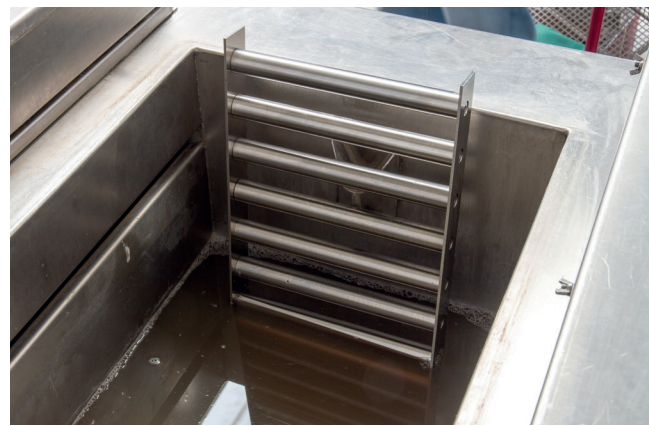


**Magnetized by ideas -  
fascinated by possibilities.**



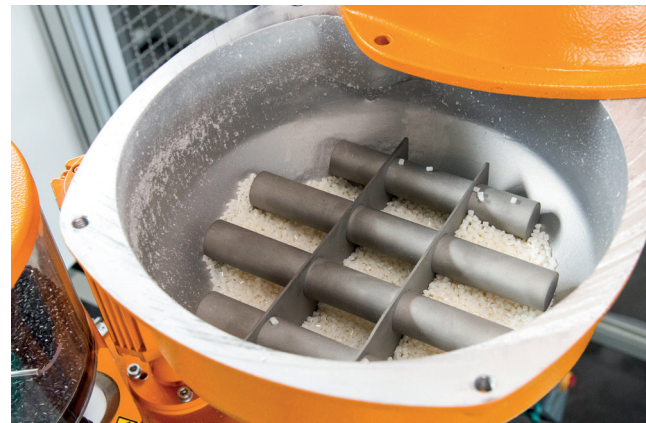
Tightly welded design for use in liquids



Magnetic filters are also possible with high operating temperature (up to 200°C)



High-quality stainless steel casing (suitable for the food industry)



Magnetic filters suitable for round systems or funnels



Production of individual lengths possible



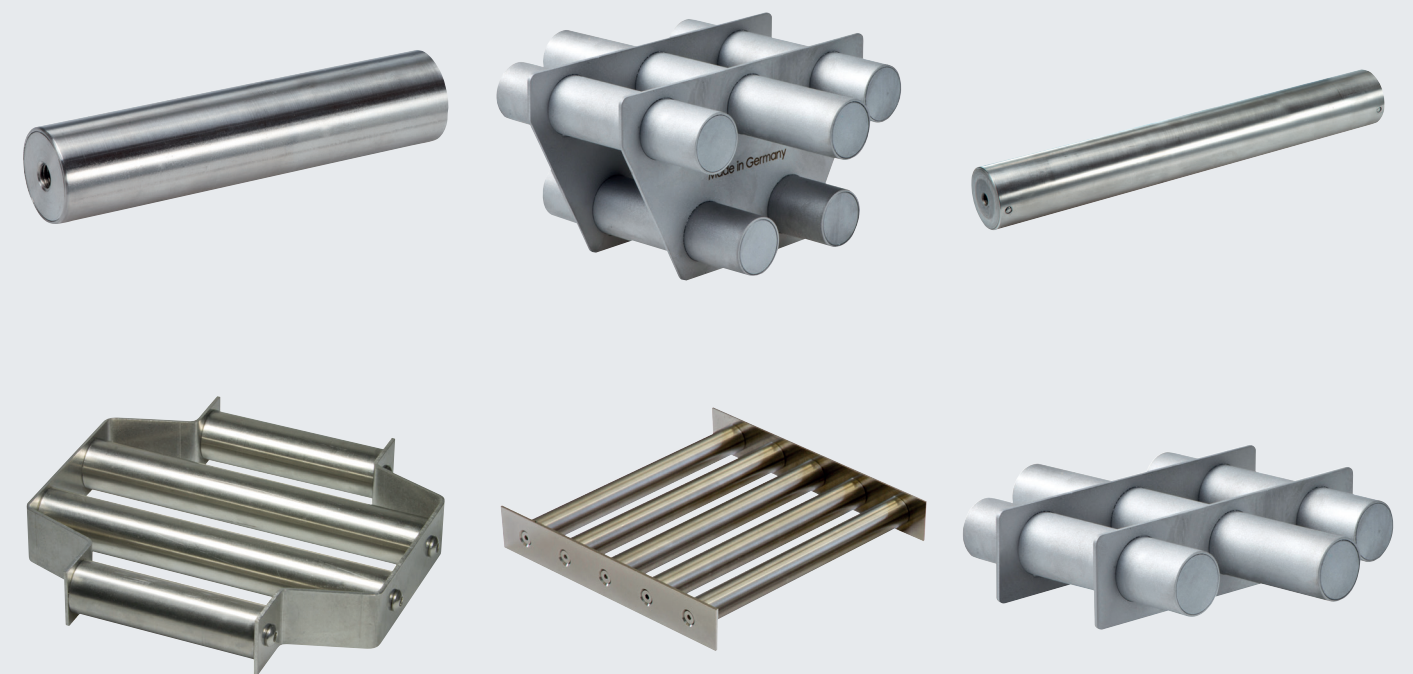
Smooth stainless steel cover for easy removal of particles

Magnetic filters and separators are permanent magnets. They filter your bulk material and conveyed goods from unwanted impurities with metal parts cost-effectively and without additional consumables.

We also offer customized special systems that are developed together with our customers for specific applications.

# FILTER TECHNOLOGY

## Magnetic filter bars and filter grids



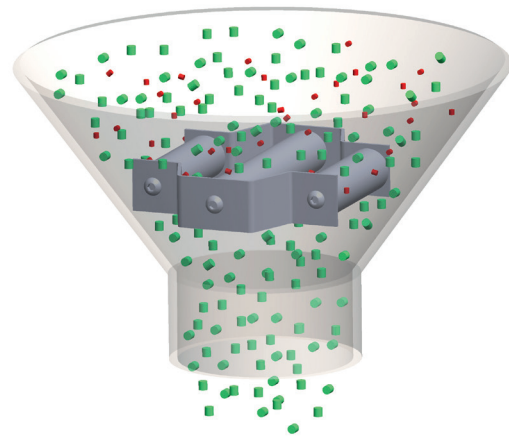
SCAN ME



Further high-quality magnet systems and the corresponding data sheets and technical information can be found on our homepage.



# Magnetic solutions are our expertise.



Functionality in a funnel

Magnetic filter grids are an investment in the quality of your products and the efficiency of your production processes. They ensure clean materials, smooth processes and reduced costs. The magnetic filters attract magnetic particles and hold them while the material flows through unhindered. The smooth stainless steel cover makes it easy to remove the foreign particles by wiping or compressed air.

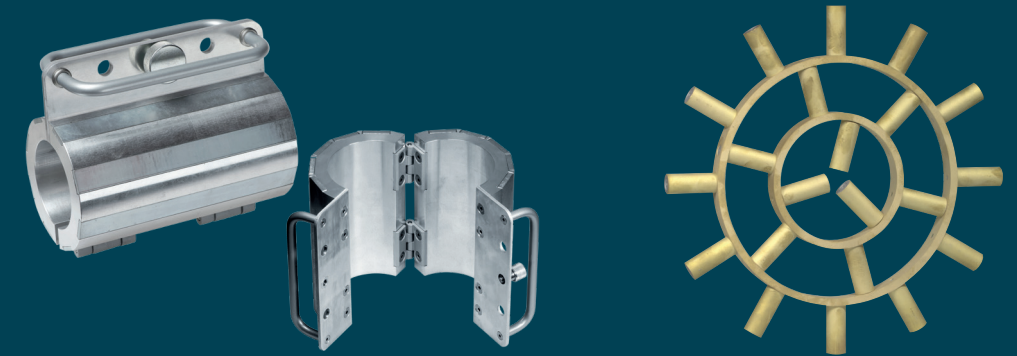
## Fields of application:

- Pipeline systems
- Wood, plastics and recycling plants
- Metal recovery

## Magnetic filter grids attract ferrous foreign bodies and objects

Magnetic filter grids are the ideal solution for removing ferrous substances from fine and granular materials. They are used in various industries, such as the plastics, wood, glass, ceramics and food industries, as well as in metal recovery.

The filter components are made of high-quality stainless steel to ensure high resistance to wear and corrosion. Our magnetic filter grids are equipped with neodymium magnets or hard ferrite magnets as standard, which generate a strong magnetic field. They consume no energy, require no maintenance and are easy to clean.



Special designs in the field of filter technology

## Benefits:

- Clean materials: Magnetic filter grids ensure iron-free materials that improve the quality of your products and reduce production errors.
- Smooth production processes: The filters do not impair the material flow and thus enable continuous operation of your systems.
- Wear and corrosion resistant: All filter components in contact with the product components in contact with the product are made of stainless steel, for a long service life and easy cleaning.
- Cost efficiency: Magnetic filter grilles prevent costly maintenance and cleaning work and extend the service life of your systems.